

PROMINANCE

UPVC WINDOW SYSTEMS



Aesthetic outlook. Robust soul.

www.prominace.com



Architectural aesthetics evolve with time. Taste and design permeate every aspect of a building, right from the facade to the interiors. The contemporary approach has been to seek an excellent balance between form and function.

Throughout our line of uPVC profiles, we follow this approach.

Welcome to Prominance

“Let there be many windows to your soul, that all the glory of the world may beautify it.” – Ella Wheeler Wilcox.

In the same spirit, Prominance will help in creating the perfect windows, that all the glory of the building it is a part of, will beautify it.

Welcome, to the world of Prominance.

Vision Statement

Our vision is to provide the best window system by adhering to top-notch quality, constant innovative developments and provide an enhanced support system that adds value to our business associates.



Team

- Prominence upvc window system are crafted after in-depth marketing research
- Design and technical services team delivers systems based on functional and aesthetic needs
- Blending team quantifies the perfect and consistent formulation
- Extrusion team maintains the perfection related to dimensional and visual accuracy
- Quality team maintains all the standards



Our Values

- Care for stakeholders
- Highest quality
- Customer satisfaction
- Teamwork
- Respect for people
- A strong will to grow together



Quality Policy

Prominence is committed to delivering customer delight products and solutions and strives to achieve manufacturing excellence with compliance of international quality standards through visionary leadership and the entire organisation's commitment and involvement.



Extrusion lines

Built for Prominance

Prominance is whetted to its international standards with a perfect amalgamation of infrastructure including a ubiquitous shop floor, equipment, facilities, cutting edge technology and state of the art imported machinery.

Precision crafting for the most elegant structures, cutting-edge manufacturing processes on par with the world's finest.

Strenuous Indian conditions demand that uPVC installations are robust enough. At Prominance, we aim to accomplish that through state of the art manufacturing process overseen by top-tier talent and ensuring best practices. Our facility is future ready to deliver 30000 MT per annum.



Tool maintenance



Toolings

Toolings

- To start with, we have well-engineered extrusion dies, calibrators, tank plates and turbo cooling tanks manufactured by high-quality German tool steel.
- Product precision and consistency are achieved with erosion resistant metallurgy.

Tool & Die Maintenance

- Tools are handled, maintained and serviced in line with global standards.
- With optimally maintained tools, the plant can run at 100% capacity at any time.
- Expert in-house die designers are available for future development.



Sliding shutter tool

Extruders & Downstreams

- Imported extruders that adhere to all European quality compliances including upgraded technology with advanced metallurgy in screw and barrel.
- Designed for better gelation, plastification and consistent output.
- Most advanced calibration unit for maintaining the accuracy in dimensions.
- Utilities for purified and chilled water with ultra membrane filtration systems and chillers from Europe.

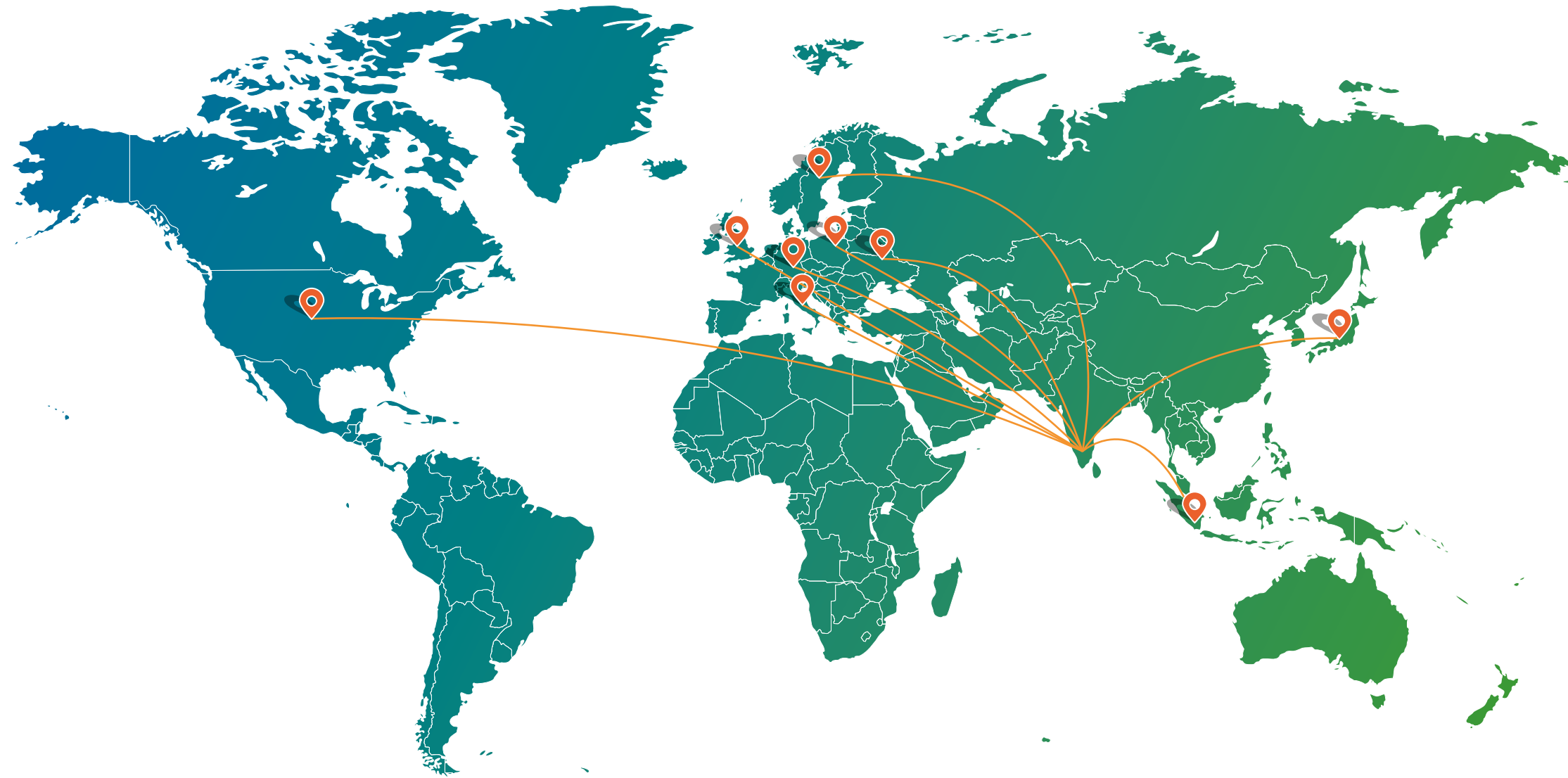
Weighing & Batching and High-Speed Mixers

The world's best grade raw materials are brought together under a single roof and are blended using state of the art mixers. These blenders make sure that the raw materials are in a unique ratio making sure that Prominence profiles surpass the desired standard.

Advantages

- Formulation is the foundation for product performance and quality assurance.
- PLC and SCADA based system adopted for precise control on weighing, timing and temperature.
- This helps in arriving at a homogeneous formulation and ensures discharge at right temperature while also helping avoid manual errors.
- Formulation determines key functions like processability, weather resistance, surface finish, gloss level and weld strength.

When the foundation is strong, the sky is the limit



Quality raw materials for world-class products

In line with our quality policy, only the best input can give us the best outputs. Thus quality construction begins with a quality choice of materials. The most excellent grades of additives arrive from across the world which are widely considered as the world's best grade for uPVC profiles.

- TiO_2 (Titanium Di Oxide) from Europe selected for their UV Resistance Properties (deemed to be the highest) and Colour Values.
- Fillers (CaCO_3 - Stearic acid coated) of the finest grades in the world with a high degree of whiteness, from reputed companies in England & Europe. To enhance the Mechanical Properties and Surface Appearance.
- Impact Modifiers and Processing Aids from U.S.A, Japan & Germany which is renowned for the highest Impact Strength and High Gloss levels.
- CaZn (Non-Lead) Stabilisers from highly reputed Japanese and German companies with a combination of high-quality Calcium and Zinc Stearates to enhance the Processability and Weather Resistance Property.



Profile projector



LAB value testing

Testing for strength and longevity

Quality control processes and tests

Research and testing that adheres to international standards is one of our key features at Prominance. A fact that enables us to consistently maintaining the set benchmarks.

Internal quality compliances have been met through the presence of European & Japanese equipments as per EN 12608 Standards.

Following aspects were closely checked to ensure fine quality

- Dimensional Accuracy (Face flatness, squareness, angle & radius)
- Colour
- Determination of the Appearance
- Determination of Profile Mass
- Straightness
- Heat Reversion (EN 479)
- Heat Ageing (Behavior after heating) (EN 478)
- Resistance to Impact by falling mass (EN 477)

Accreditation from renowned organizations from Europe, for Accelerated Weatherability Test (Artificial weathering up to 22,000 hours) and Mechanical properties & Chemical composition of our formulation.

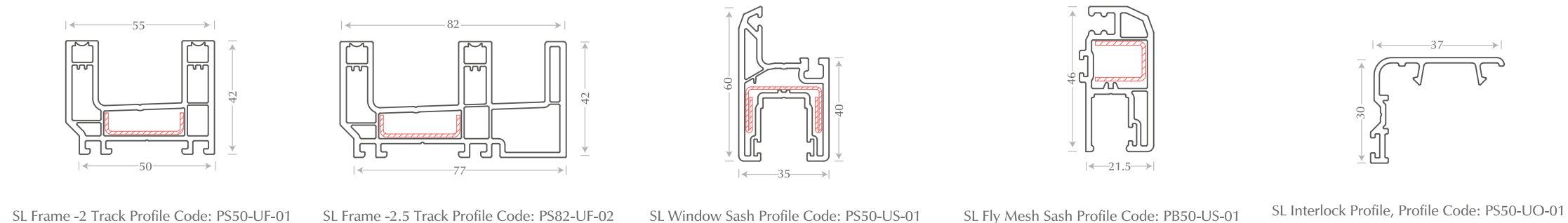


Bulk density testing

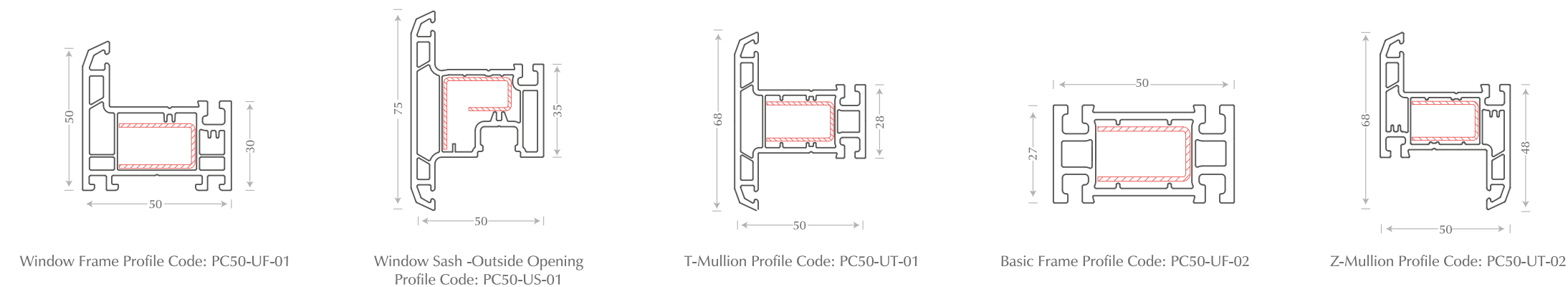
A range that meets every need

Prominace's products present an exquisite coming together of form and function. The profile meets various requirements right from budget apartments to palatial villas and commercial establishments – through structural design that can withstand rough weather conditions and wear & tear, ensuring Quality consistency and durability.

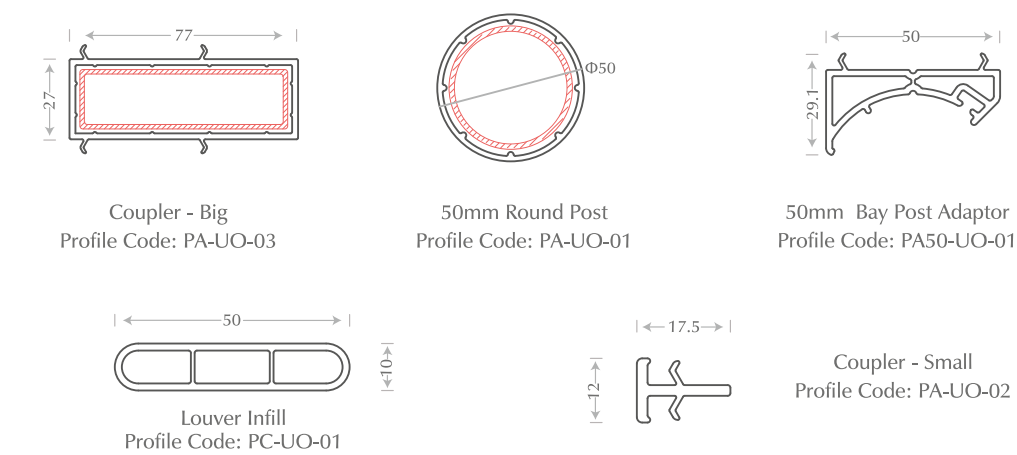
OPTIMA SLIDING SYSTEM



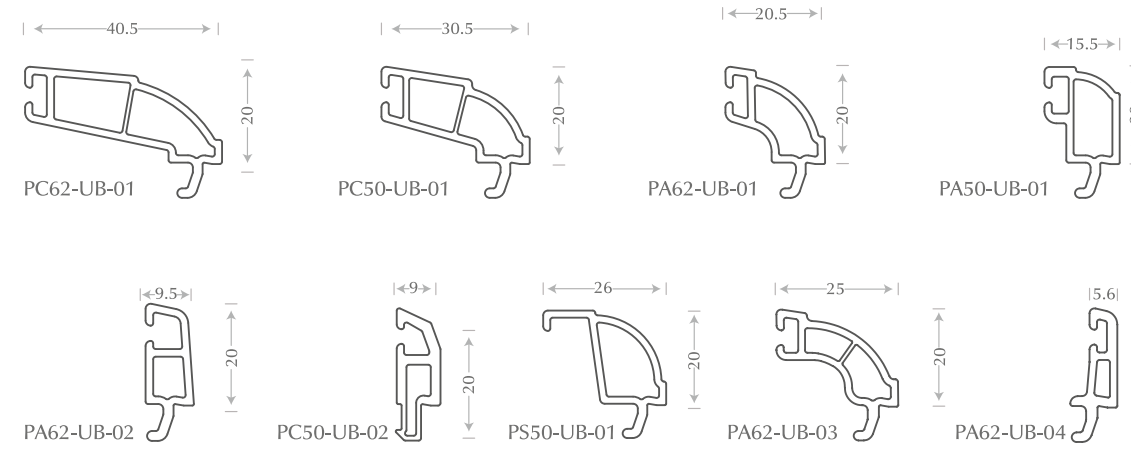
OPTIMA CASEMENT SYSTEM



ANCILLARY & COUPLING PROFILES

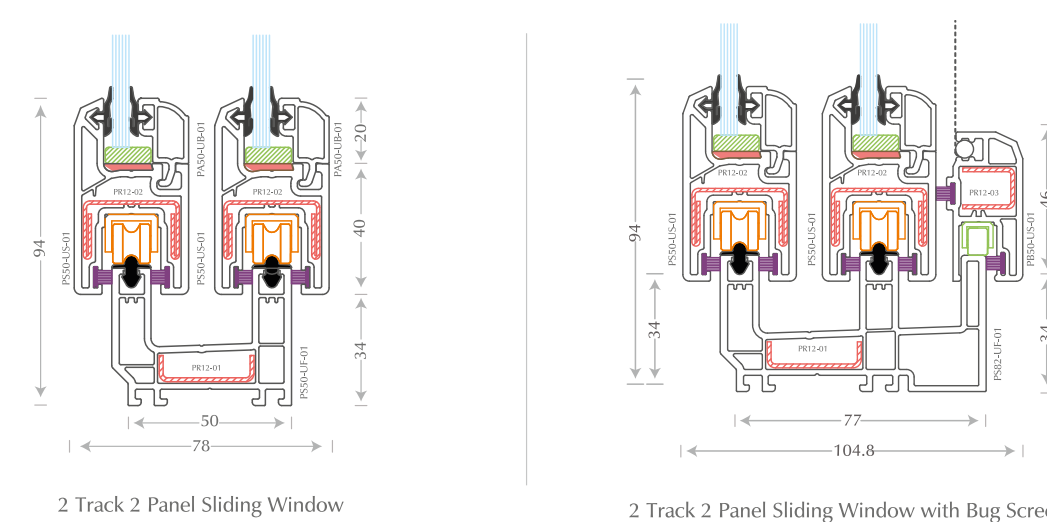


GLAZING BEADS

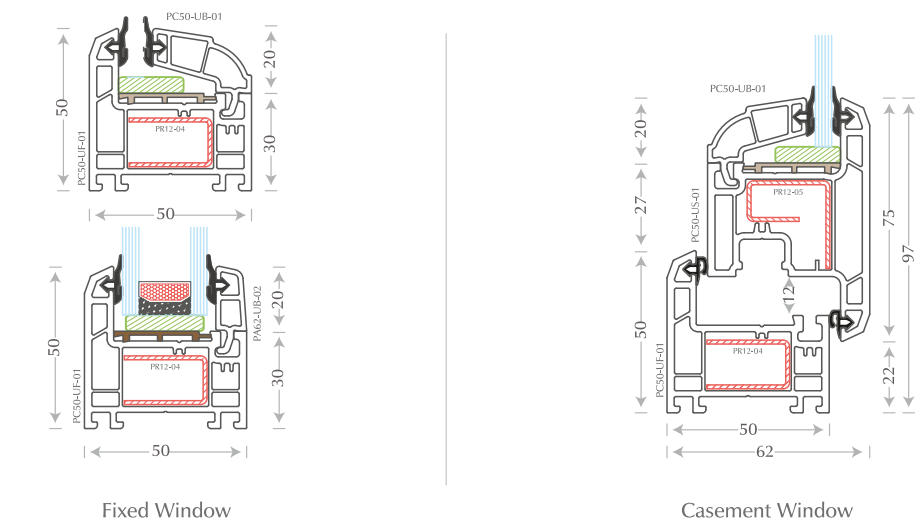


System Cross-Sectional Details

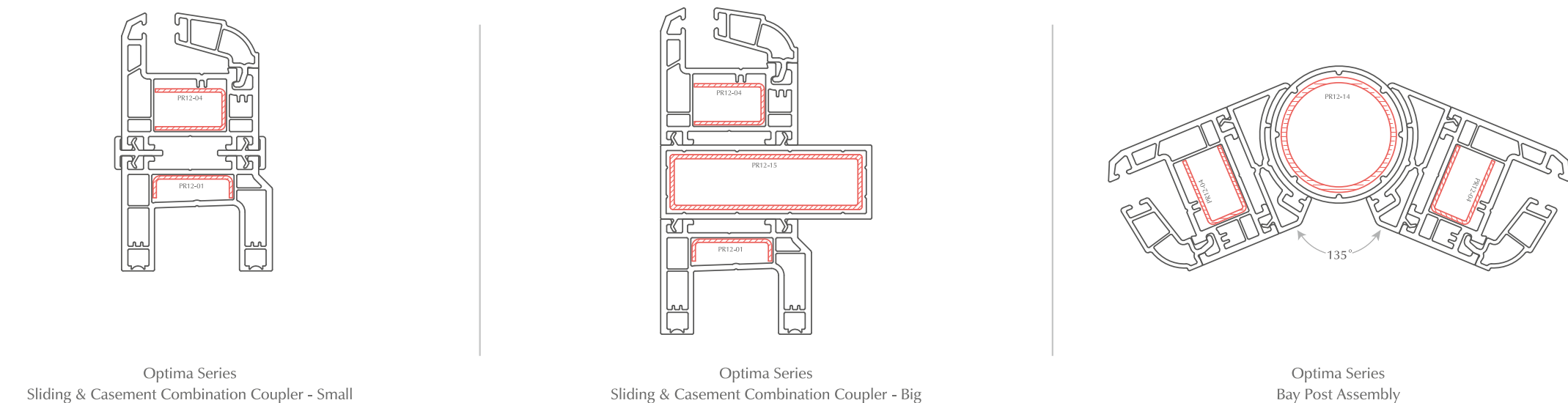
OPTIMA SLIDING SYSTEM



OPTIMA CASEMENT SYSTEM

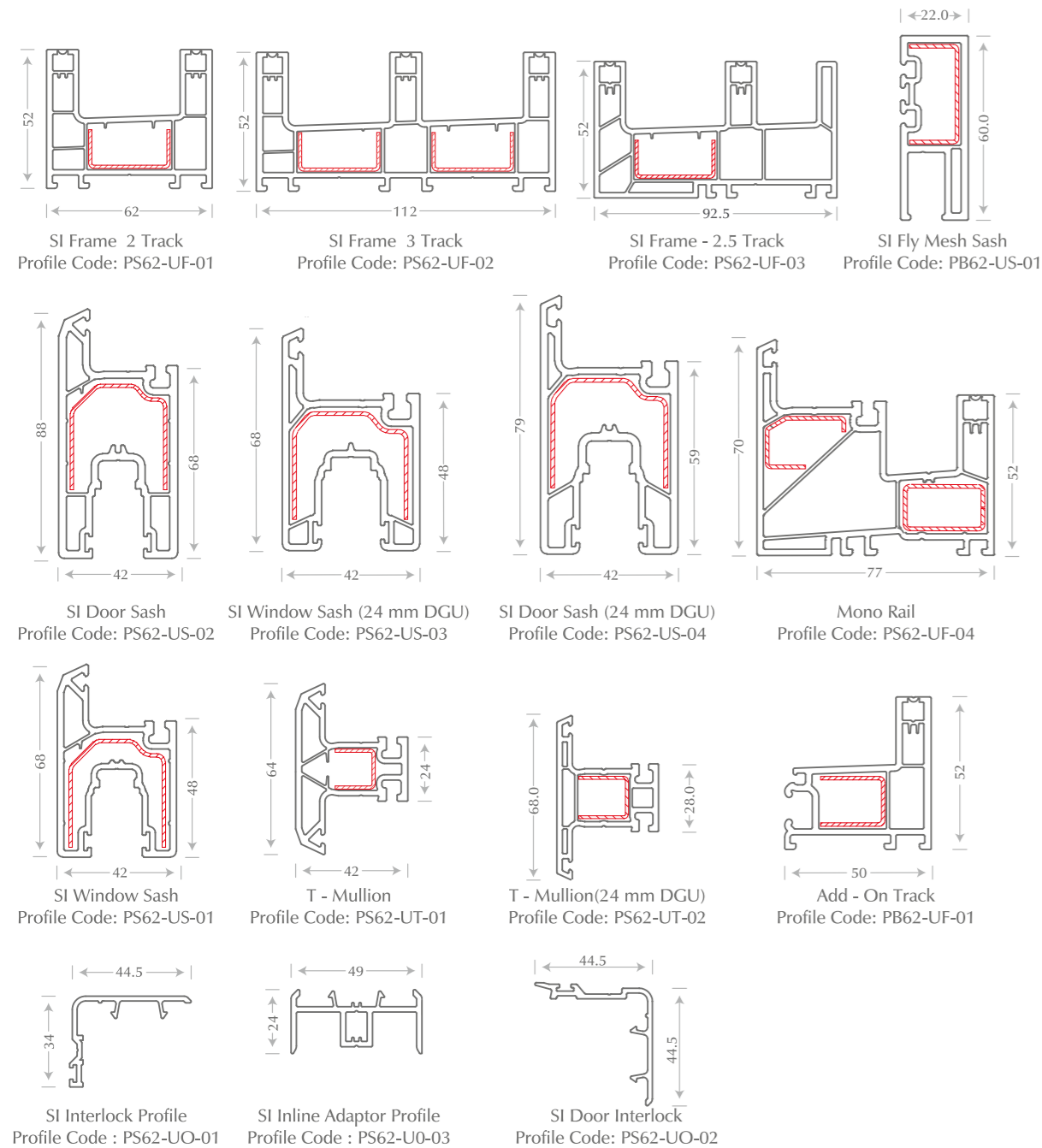


OPTIMA SERIES - ANCILLARY ASSEMBLIES

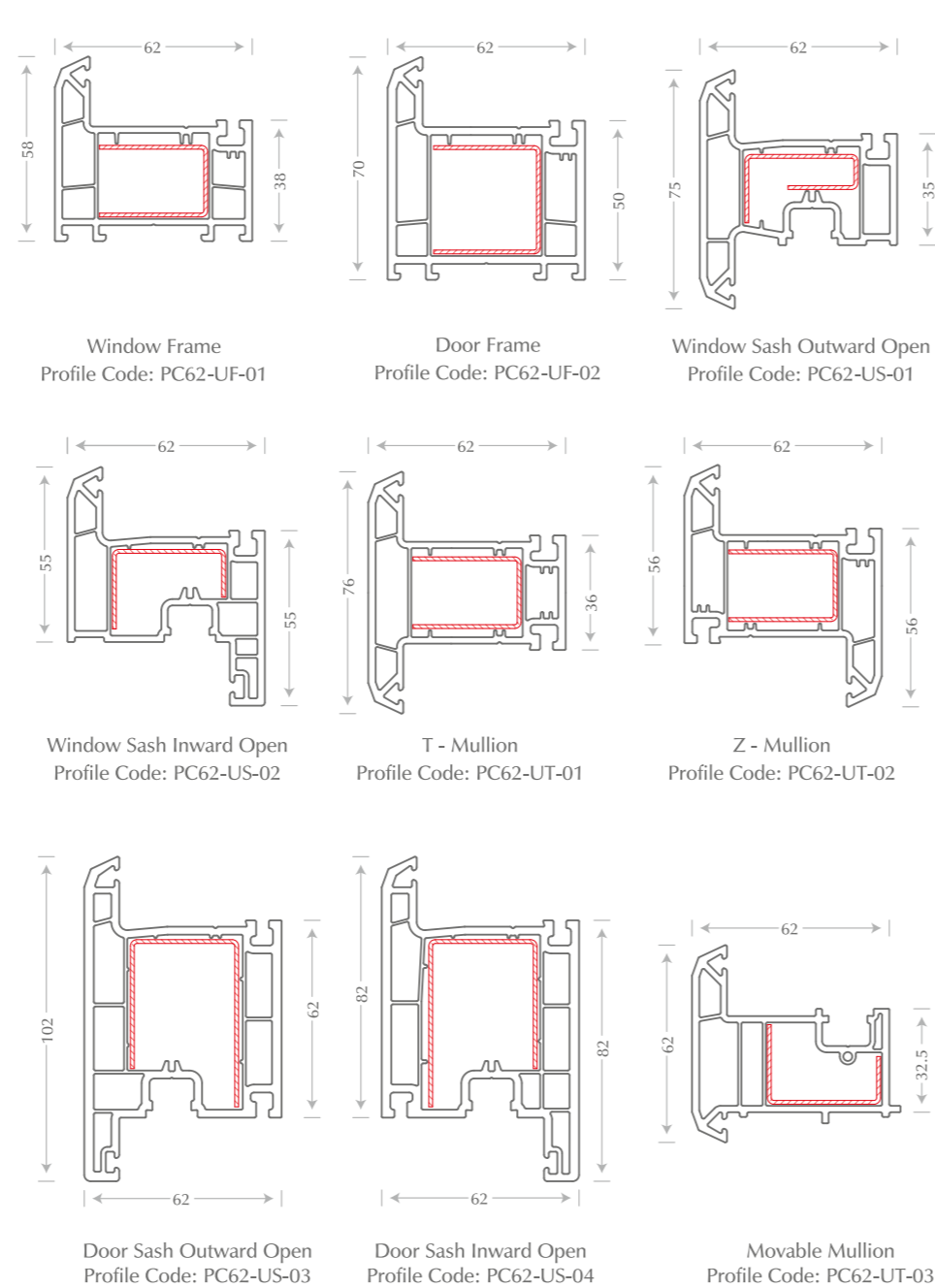


System Cross-Sectional Details

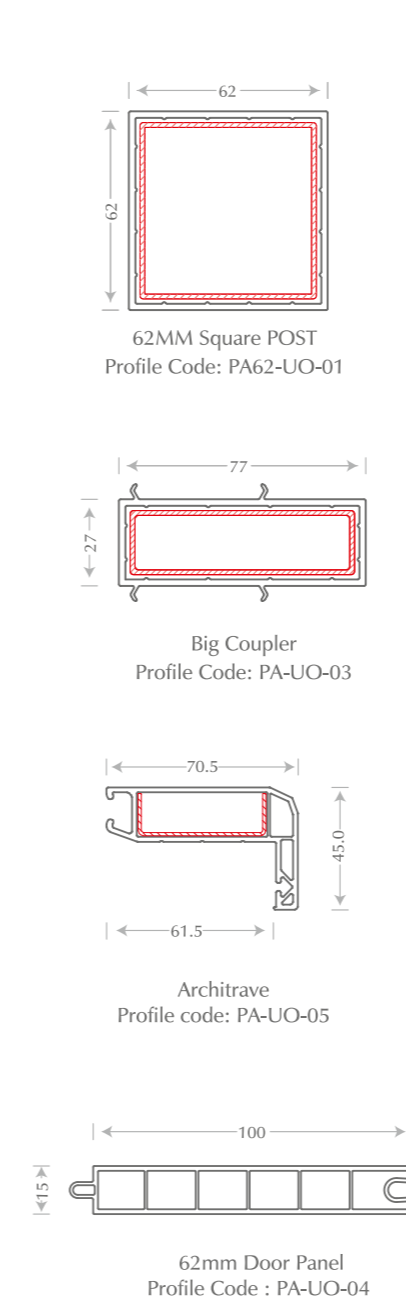
INVENTA SLIDING SYSTEM



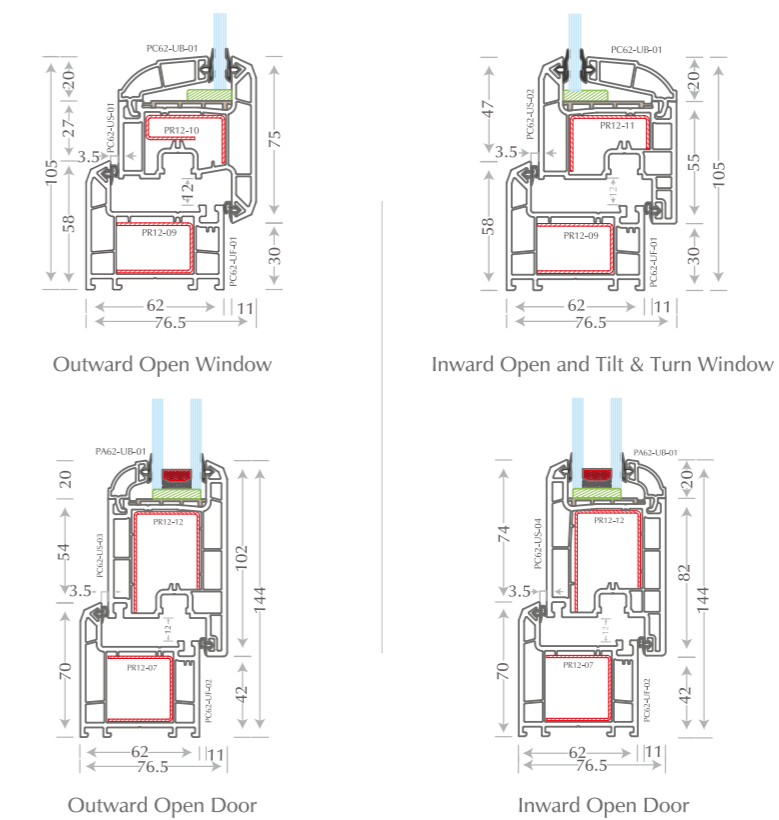
INVENTA CASEMENT SYSTEM



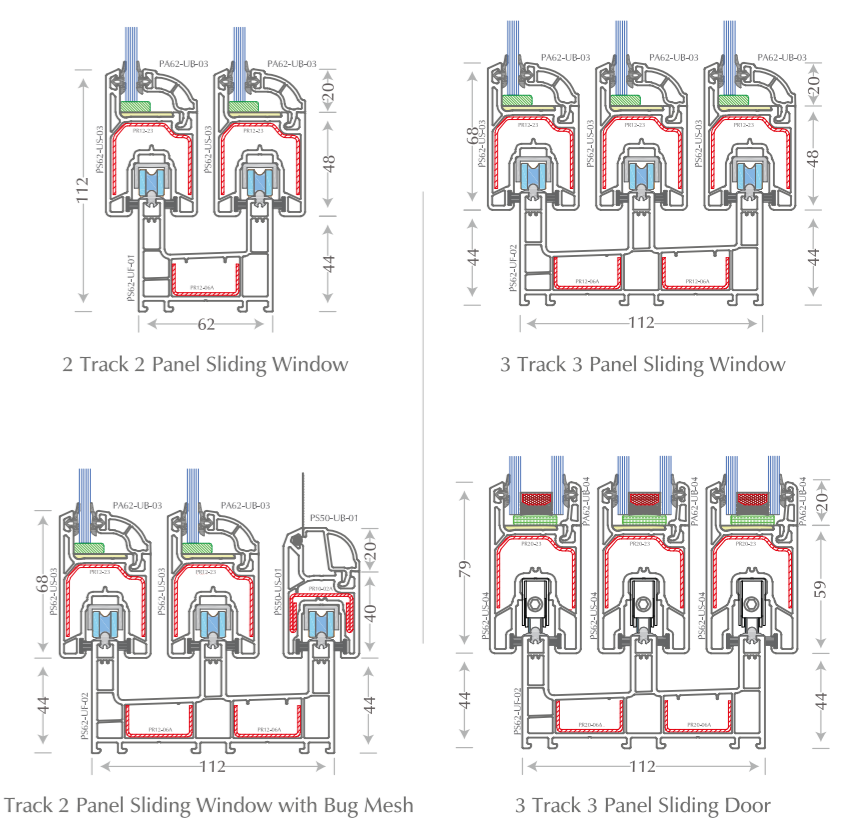
ANCILLARY & COUPLING PROFILES



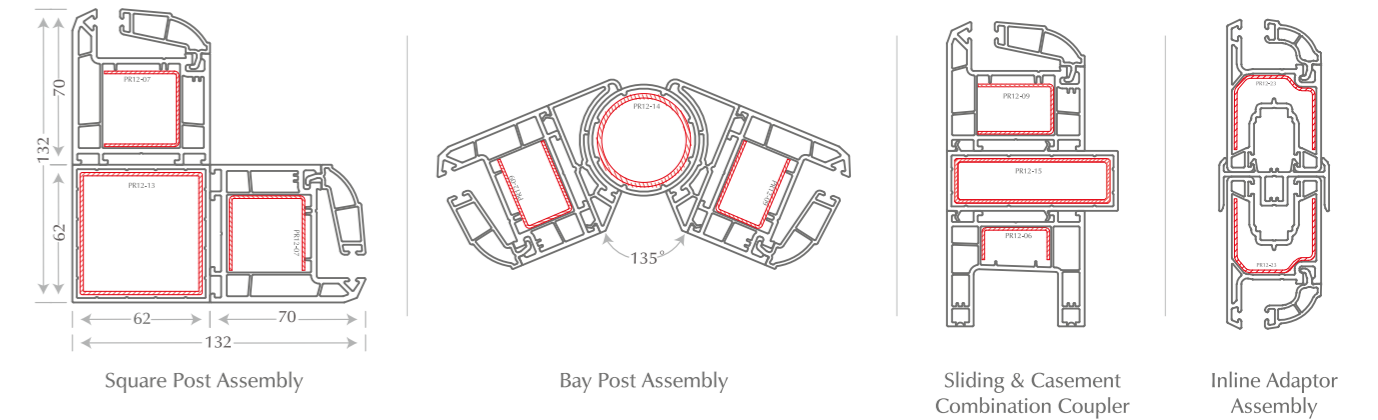
INVENTA CASEMENT SYSTEM



INVENTA SLIDING SYSTEM



INVENTA ANCILLARY ASSEMBLIES





Inventa Casement System

This system is designed for more strength and better performance with twin gasket sealing. The gasket sealing coupled with multi-point lock ensures tight closure with no gaps for proper sealing, thermal and acoustic performance. Thicker Mullion profiles with reinforcements provide sturdiness against heavy wind load. Our mullions, transoms with external strengthening bars ensures we can design large size windows with the required wind load resistance.

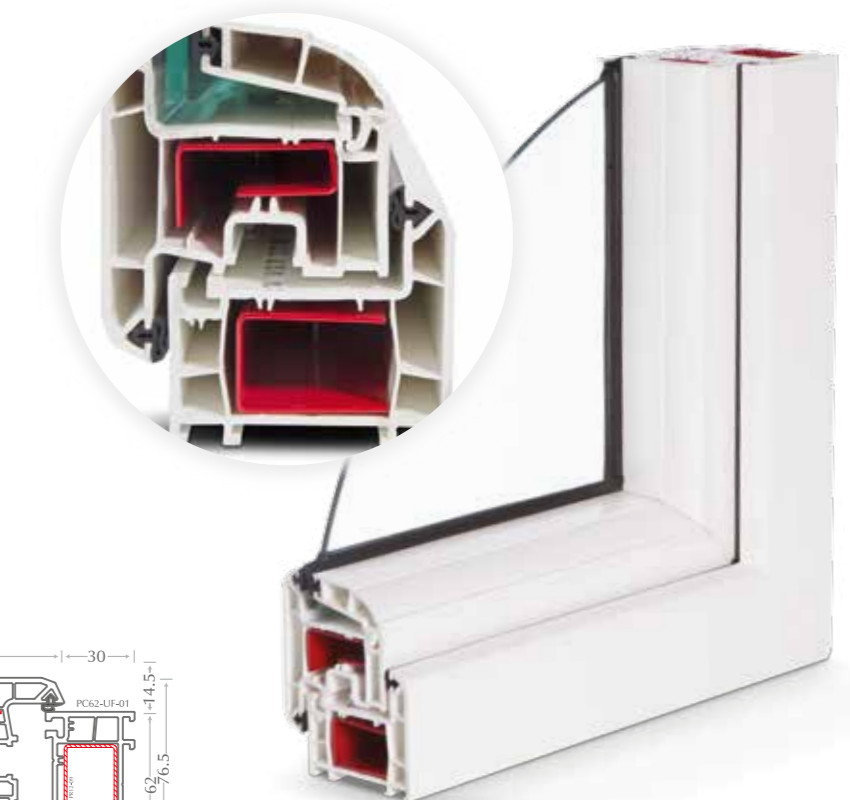
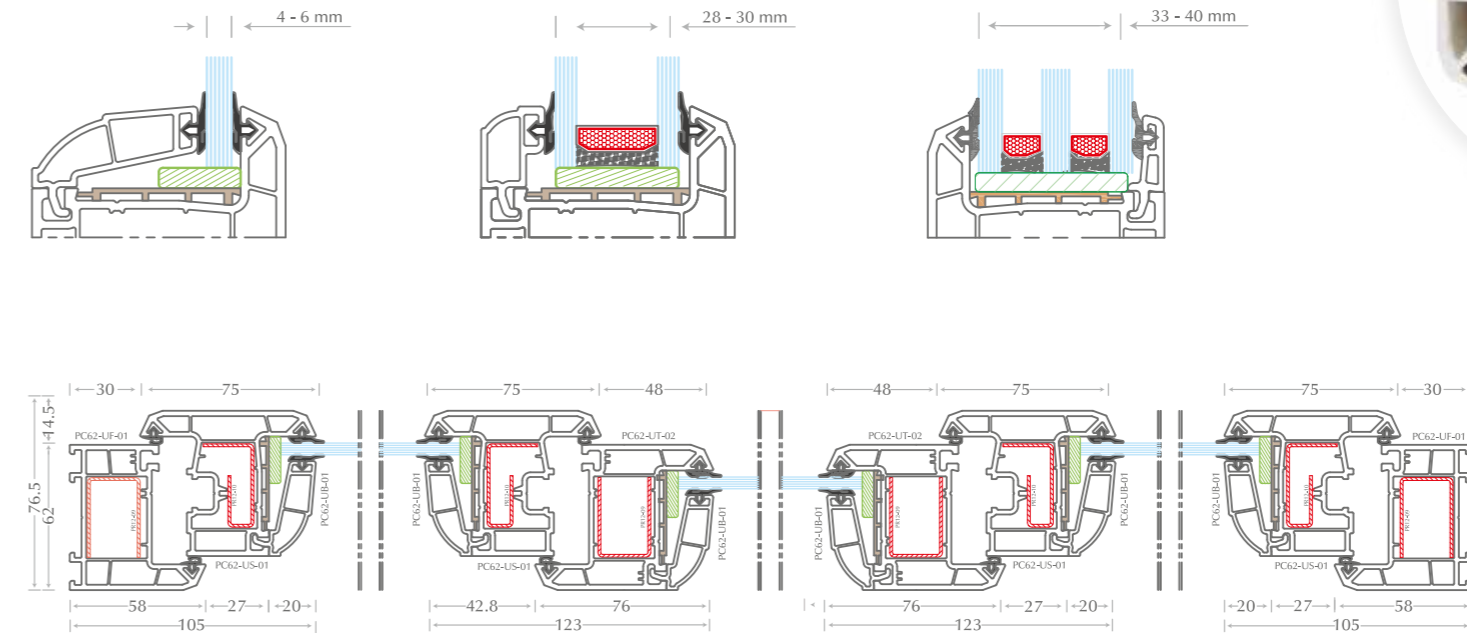
Advantages

- Applicable for hall and bedrooms facing busy and noisy streets.
- U Significant for thermal and acoustic performance.
- Supports large sized fixed glass enabling better view and light.
- Stronger system developed by Prominace against wind load.

Possible sizes as per the hardware limitations are:

	Minimum		Maximum	
	Width	Height	Width	Height
Window Size	1350	900	4100	2400
Sash size	450	450	850	1800

Inventa Casement can accommodate single/double/triple glass ranging from 4mm to 37mm. It is recommended to use below glass application.





Optima Casement Window

Optima Casement System

Application

- Optima Casement windows are designed for small to medium openings/apertures.
- Optima casement system is also meant for medium high rises.

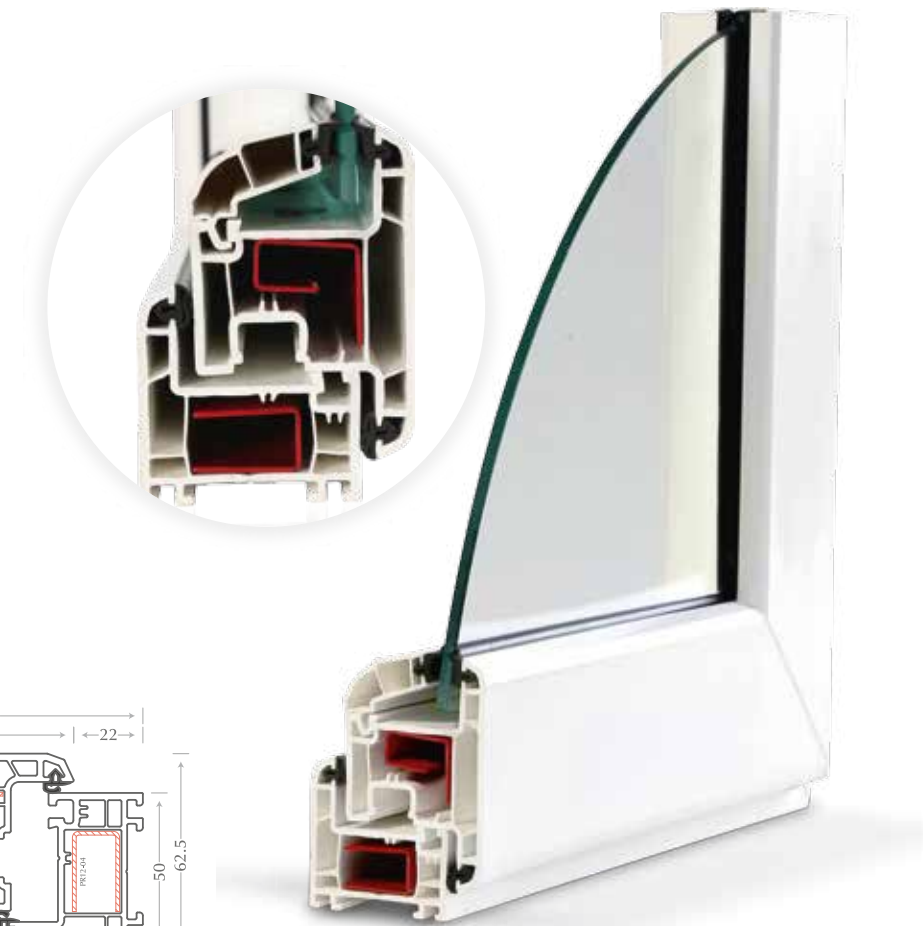
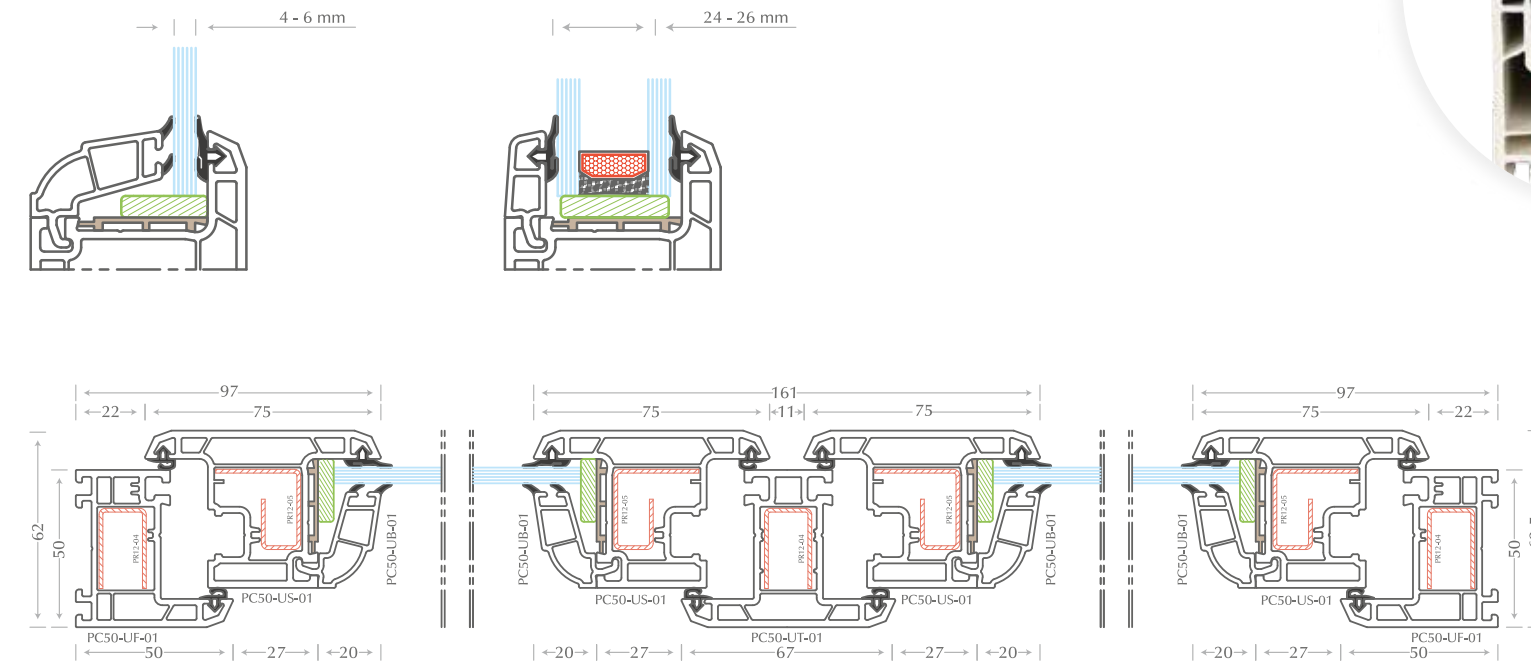
Advantages

- Provides good thermal and acoustic efficiency with optimal sight lines and design possibilities for small/medium openings.
- 100% opening possibility allowing maximum influx of fresh air and light.
- Unparalleled strength and performance.

All casement designs need to be evaluated in terms of dimensions and designs with wind load factor specified by architect or developer.

Possible sizes as per the hardware limitations are:

	Minimum		Maximum	
	Width	Height	Width	Height
Window Size	800	400	1400	1300
Sash size	400	400	700	1300





Inventa Sliding Window

Inventa Sliding System

Application

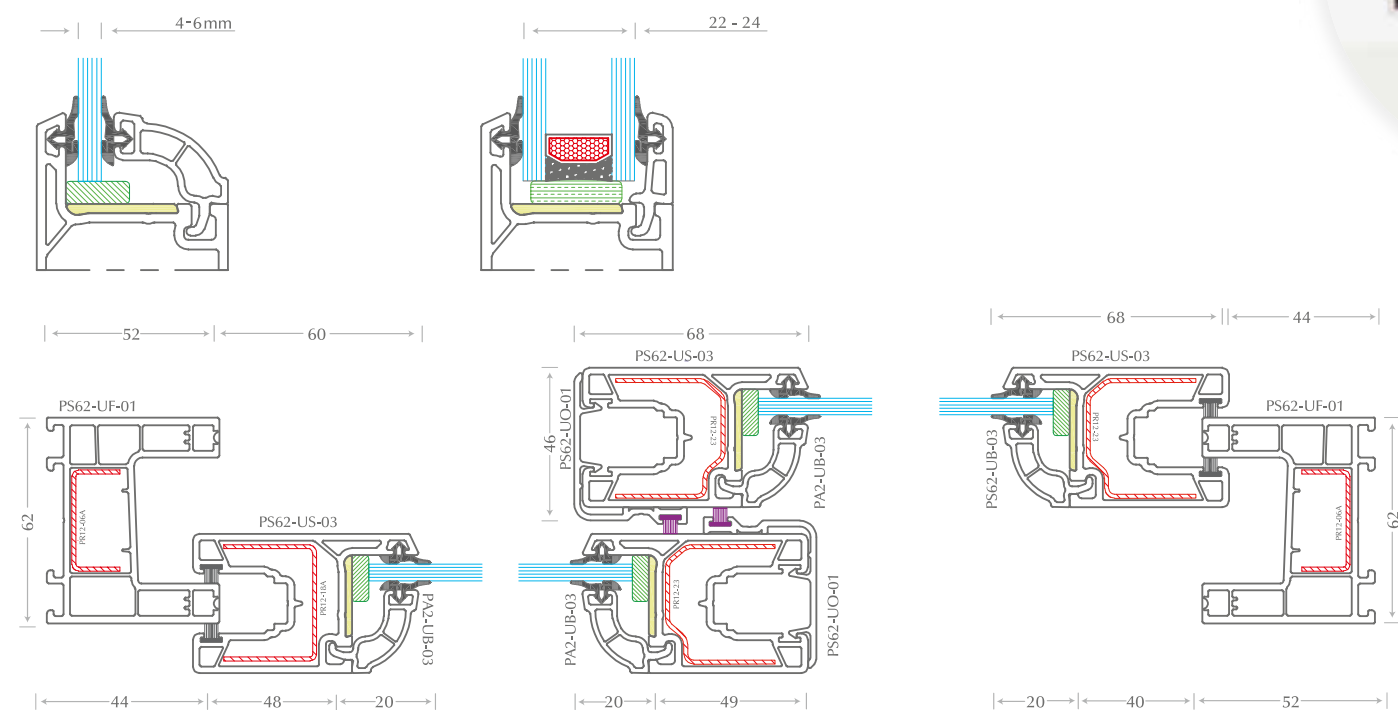
- Designed with maximum space for reinforcement supporting large sized windows/doors.
- Can be used in hall and bedroom allowing space saving and 66% opening.

Advantages

- Aesthetics are judiciously designed to ensure strength and shine over double bevel.
- Designed with minimum air leakage to prevent dust, noise and thermal leakage.
- Allows more light and better view with minimum vertical separator.
- The strength of window is further enhanced with wind resistance booster bars to allow bigger size window to be made.

Possible sizes as per the hardware limitations are:

	Minimum		Maximum	
	Width	Height	Width	Height
Window Size	900	450	2400	1800
Sash size	450	450	1200	1800





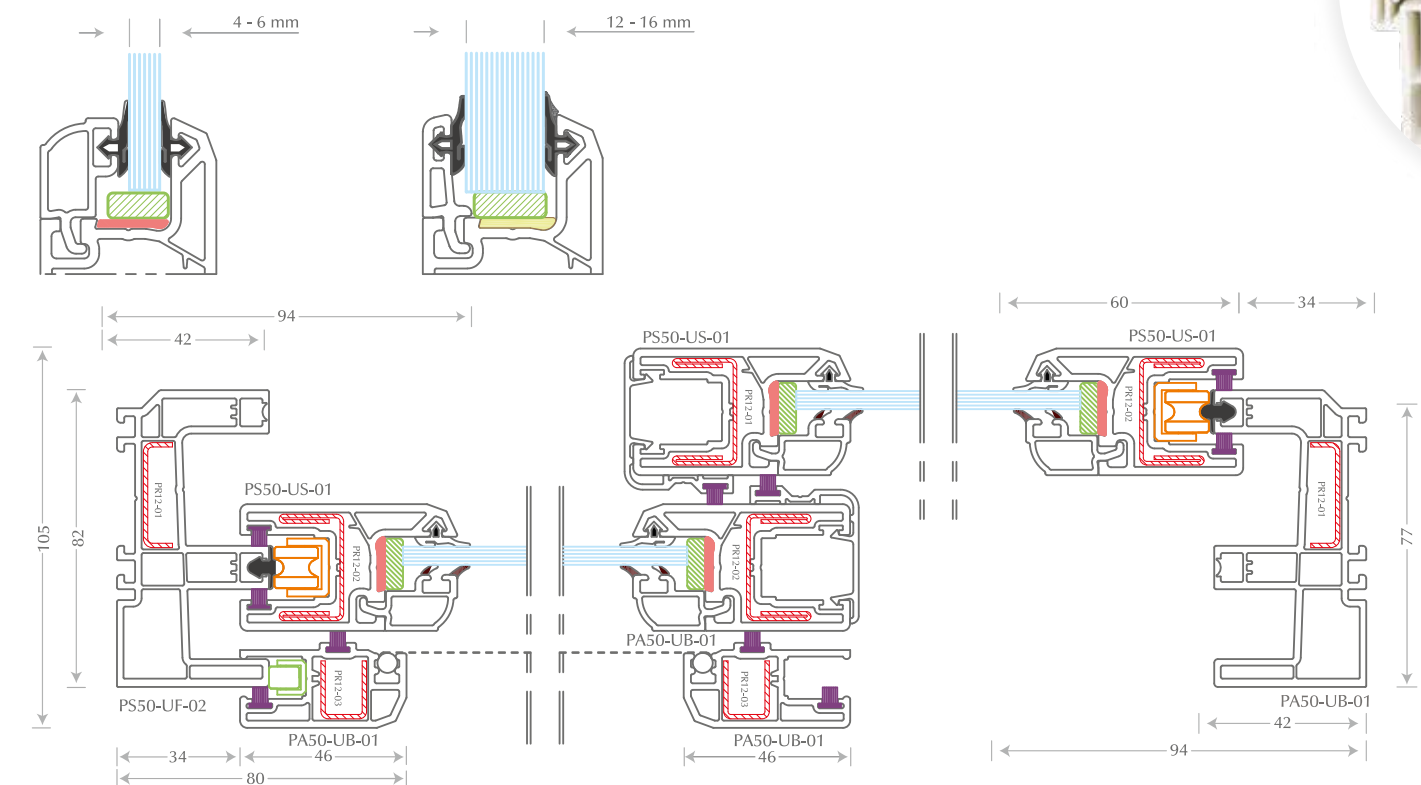
Optima Sliding System

Application

- The design is meant for small to medium sized windows.
- Used in small properties where opening space is a constraint both inside and outside.
- Can be used in medium-sized bedrooms, guest rooms, hall, walkways, staircases, etc
- It counters the trend of conventional aluminium windows & toilet specifiers where architects design small sized windows to medium-sized ones.
- A window of 1500 x 1500 can stand wind load of 1500 Pascal for deflection limit of Height/175 (Defined as per various Indian and international standard.) with its normal reinforcements.
- The strength further can be boosted by using the wind load resistance booster profiles.

Advantages

- These are designed to balance feature & simplicity.
- Uniform aesthetics across Prominence systems allows integration of inventa and optima system with ease.



Possible sizes as per the hardware limitations are:

	Minimum		Maximum	
	Width	Height	Width	Height
Window Size	900	450	1500	1500
Sash size	450	450	750	1500





Casement Door

Inventa Casement Door System

Application

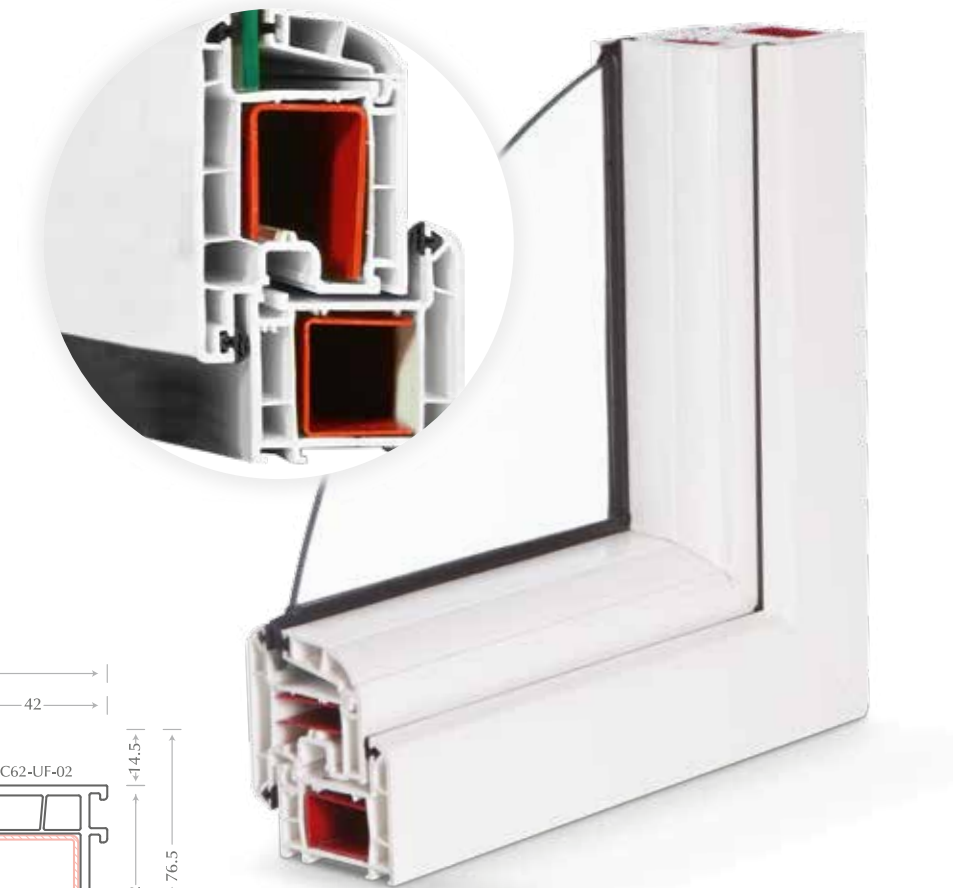
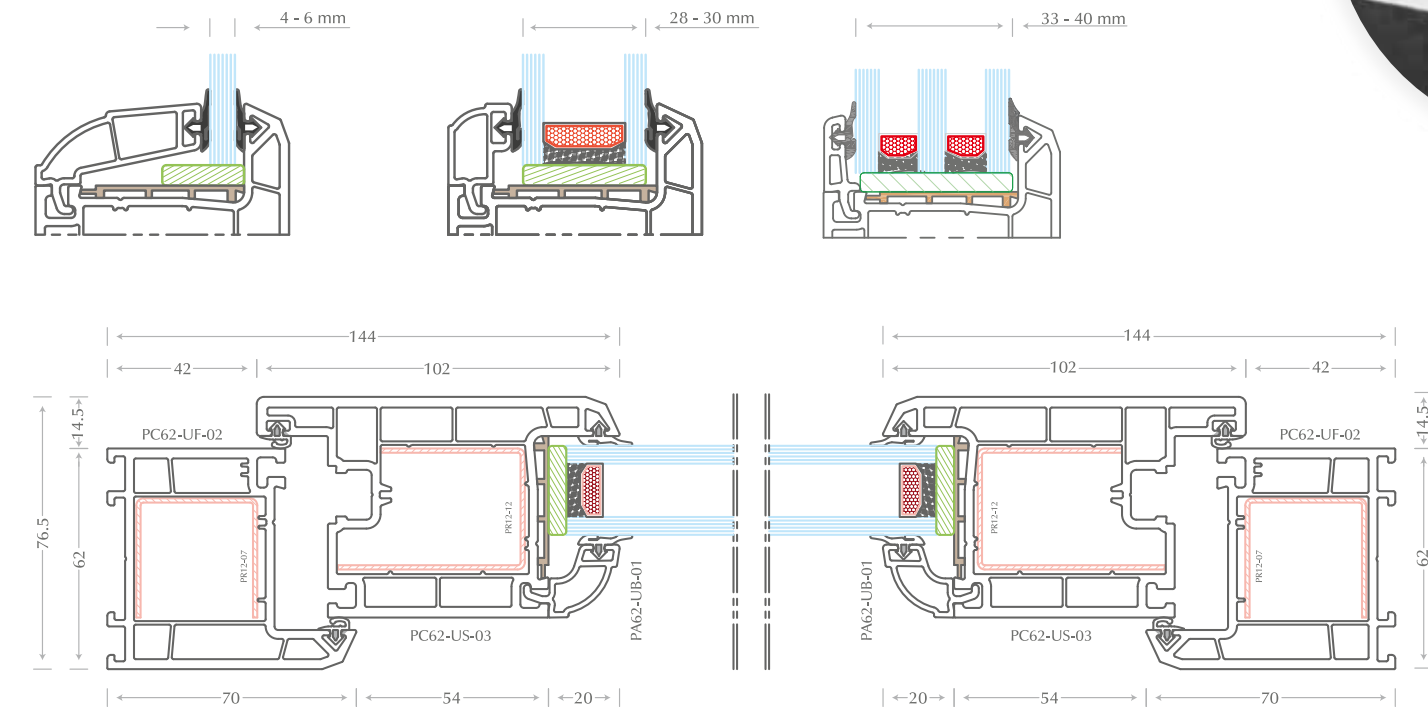
- Provides for inside and outside opening doors such as internal doors as well as balcony doors.
- Mainly recommended and used for dust and weatherproofing.
- Compatible with International hardware.
- Maximum width allowed per leaf is 1200 mm.
- Glass safety can be achieved by using toughened or laminated glass.
- French door or door with mullions needs to be analysed on a case to case basis.
- A threshold is optional. It is advisable to use a threshold for achieving better acoustic and thermal performance.

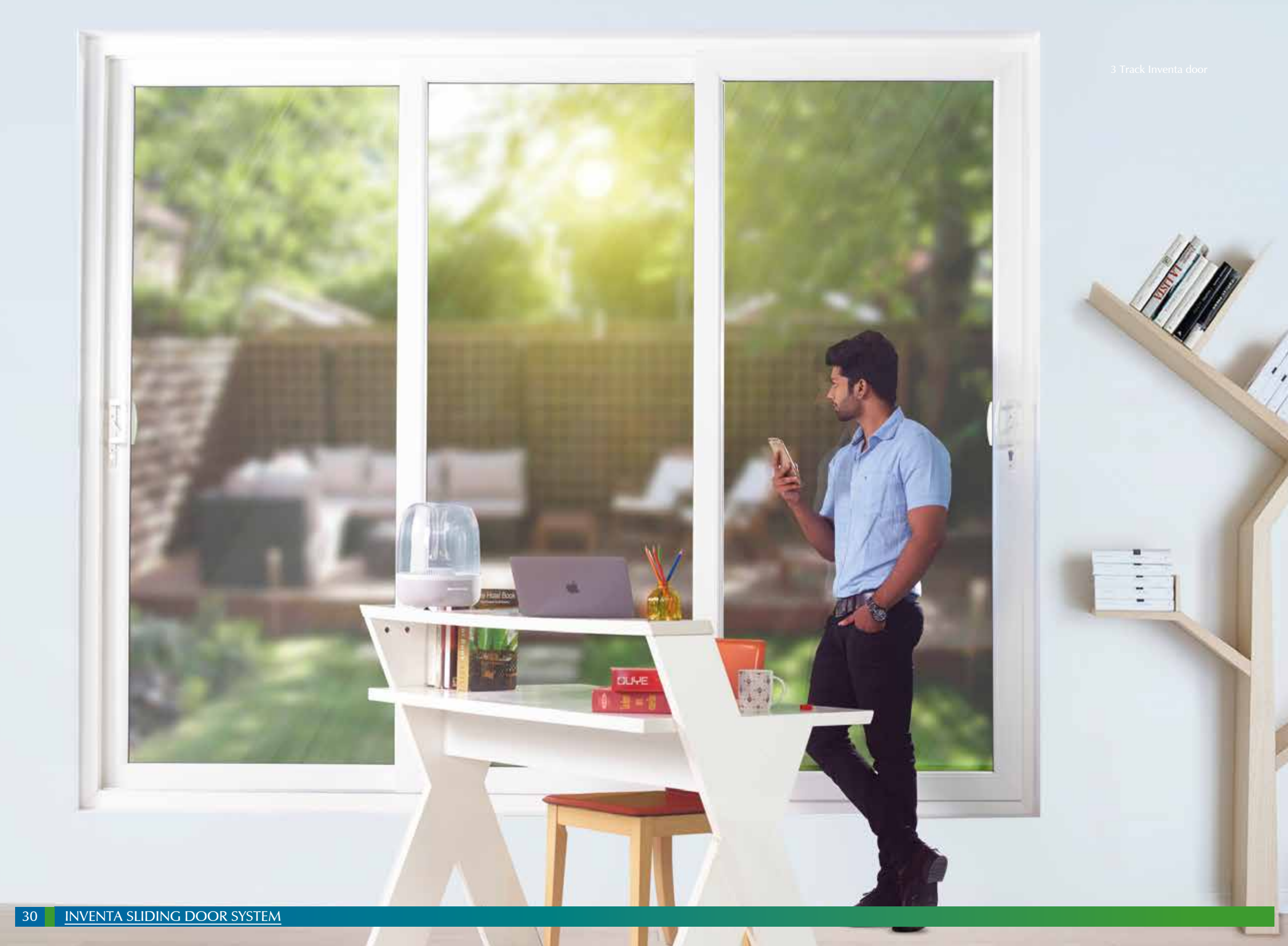
Advantages

- Versatile and reliable door solution for balconies.
- No threat of undue deflection as the frame is firmly attached to the wall.
- Sturdy and durable

Possible sizes as per the hardware limitations are:

	Minimum		Maximum	
	Width	Height	Width	Height
Window Size	600	1950	1000	2400
Sash size	600	1950	1000	2400





3 Track Inventa door

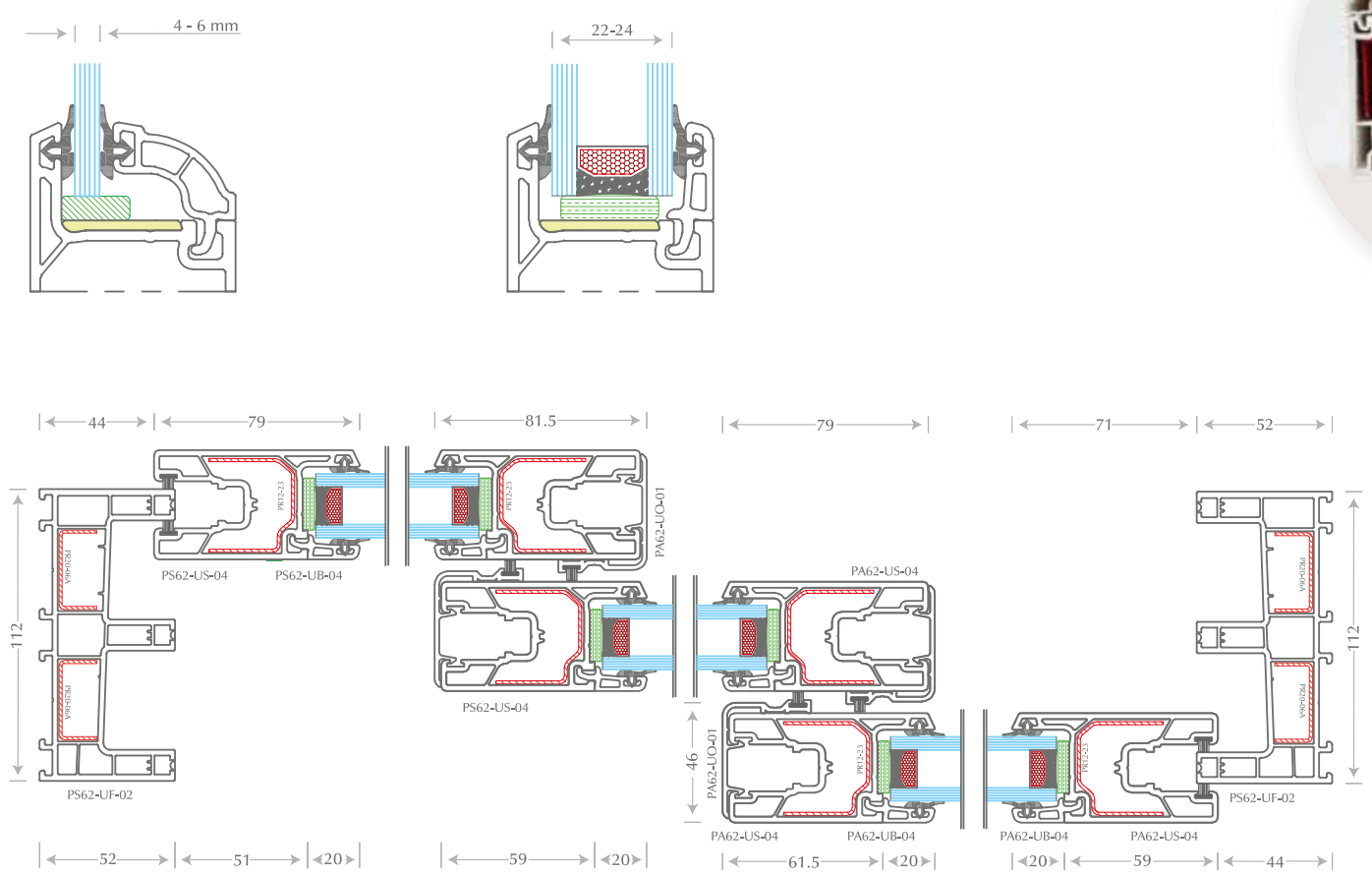
Inventa Sliding Door System

Application

- Ideal for properties where one side wall is replaced by window/door opening.
- It can handle a large opening allowing a larger influx of air & sunlight.
- We have also designed 3 track 3 shutters or 3 track 6 shutters which gives an ample choice to architects and developers.
- It can be used as a large balcony door and Floor to ceiling windows.
- Bigger sizes can be made with wind load resistance on the interlock section.
- Inventa slider system is ideal for architecture which promotes more light and open space.

Possible sizes as per the hardware limitations are:

	Minimum		Maximum	
	Width	Height	Width	Height
Window Size	1350	450	3600	2400
Sash size	450	450	1200	2400

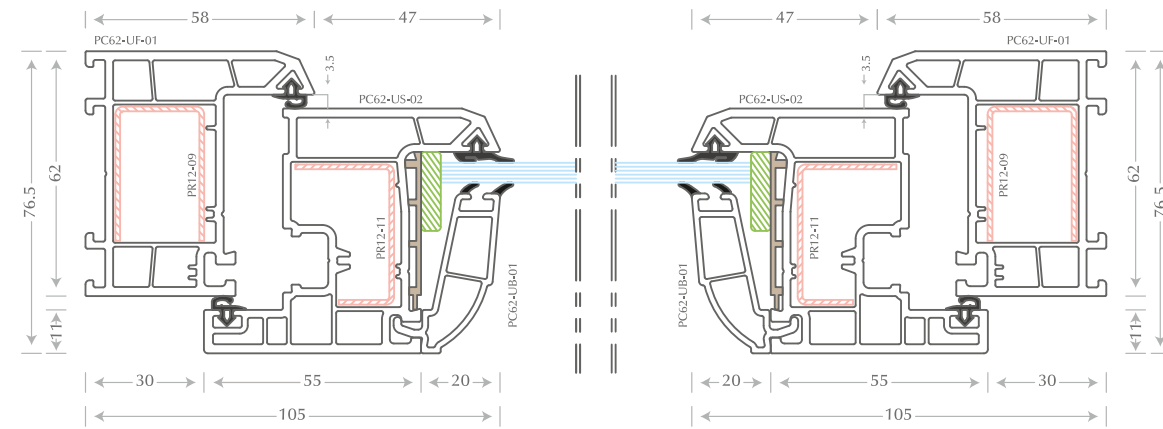


Inventa Tilt & Turn System

Inventa series can also be used to design tilt n turn windows using Z sash. Several combinations are possible with tilt n turn. Our designing is such that it accommodates any major hardware tilt n turn solutions such as those from Roto, GU, etc., ensuring there is no compromise on the performance.

Advantages

- Used for bedroom windows and places where the privacy and ventilation both are needed.
- It appears as an inverted “Top hung” which also opens inward more like a “Side hung” window.
- Unique ability is to open inside in the same configuration and allows 100% opening.
- Provides sound and thermal insulation as well.

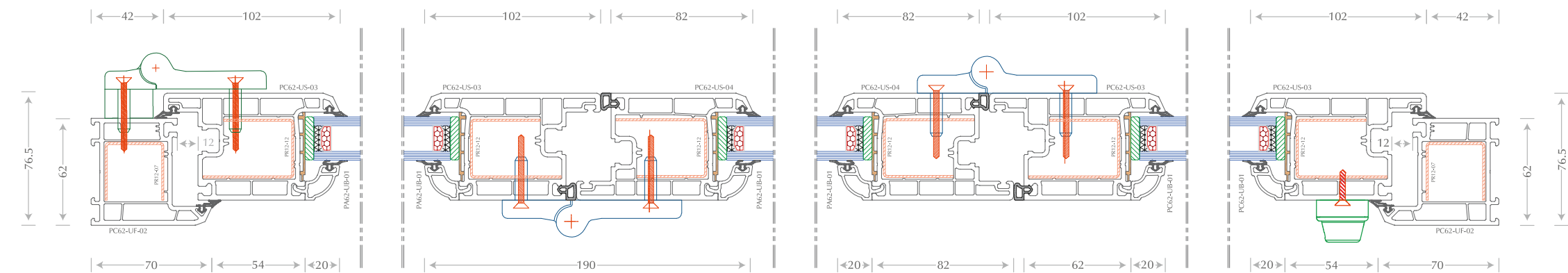


Inventa Bi-Fold Door System

Another exclusive design from Prominace's kitty is the Bi-Fold solution. Bi-folds are increasingly getting into demand due to the ability to open 100% and cover wide openings. Besides, the weather tightness performance is comparable to any good casement systems thus avoiding the downside of conventional sliding doors.

Advantages

- Used in high rise buildings where huge openings to balconies are covered like the doors in hall opening to the balcony outside.
- Used in the villa to merge inside and outside space.
- It is sturdy against heavy winds and rains.
- For structural safety, a thorough analysis is required while installing these doors.




Tested by Standards

Accreditation from renowned organizations from Europe and UK, for Accelerated Weatherability Test (Artificial weathering up to 22,000 hours), Mechanical properties & Chemical composition of our formulation.


PROPERTIES AS PER EUROPEAN & INDIAN STANDARDS (EN 12608-1:2016)	RANGE	RESULT	ACCREDITATIONS FROM
Accelerated Weathering (44GJ/m² @ 22,000 Hours) DIN EN 513	ΔE not more than 5	1.8	SKZ - Germany /BSI-UK
Charpy Impact Strength (BS EN ISO 179-2:1999)	Not less than 20 KJ/M ²	74.5 KJ/M ²	SKZ - Germany /BSI-UK
Vicat Softening Temperature (BS EN ISO 306:1997)	Not less than 75°C	80°C	SKZ - Germany /BSI-UK
Flexural Modulus of Elasticity (BS EN ISO 178 : 2003)	Not less than 2200 Mpa	3070 Mpa	SKZ - Germany /BSI-UK
Tensile Impact Strength (BS EN ISO 8256: 1997)	Not less than 600 KJ/M ²	934 KJ/M ²	SKZ - Germany /BSI-UK
Weld Strength (BS EN 514:2000) - Individual Specimen	Not less than 20 Mpa	25.32 Mpa	BSI-UK
Heat Reversion, Resistance to Impact, Behavior after 150°C	To comply as per EN 12608 -1:2016	Pass	BSI-UK
RoHS (Directive 2011/65/EU)	Lead Should not be detected	Not Detected	SGS
Flammability (UL 94)	10 sec	V ₀	CIPET
Thermal Conductivity (ASTM E-1530)	0.12 to 0.25 W/mk	0.137 W/mk	CIPET
Density (ASTM D 792)	Not to Exceed 1.5 g/cc	1.46 g/cc	CIPET



Certified by Quality



Kitemark House
Maylands Avenue
Hemel Hempstead
Hertfordshire
HP2 4SQ
UNITED KINGDOM



0135

Test Report 8572674.
Prominance UPVC Profiles
Captiv Fenestration

Test Requirements.
BS EN 12608 Direct

Clause	Requirements	Result
5.	Requirements	
5.1	Materials	
5.1.3	Material characteristics	
	Vicat softening temperature	PASS
	Charpy Impact strength	PASS
	Flexural modulus of elasticity	PASS
	Tensile impact strength at 23 C	PASS
5.2	Appearance	PASS
5.3	Dimensions and tolerances	
5.3.2	Thickness of walls of main profile	PASS
5.3.3	Tolerances on other dimensions	PASS
5.3.4	Deviation from straightness of main profiles	PASS
5.4	Mass of main profiles	PASS
5.5	Heat reversion	PASS
5.6	Resistance to impact of main profiles by falling mass	PASS
5.7	Behaviour after heating at 150 C	PASS
5.9	Weldability	PASS

...making excellence a habit.

ZERTIFIKAT

Z122108/16

We hereby confirm that the tested window profiles made of PVC-U, produced with formulation

PROMINANCE uPVC DRYBLEND

of producer

Prominance uPVC Profiles, Captiv Fenestration
Appanaikenpatti, Sular
641402 Coimbatore, TAMIL NADU
INDIA

according to the results of test report no. 122108/16 dated 14 October 2016

of the accredited Testing Laboratory

SKZ - Testing GmbH
Friedrich-Bergius-Ring 22
97076 Würzburg
GERMANY

complies with the requirements regarding


Material characteristics
(Vicat-softening temperature, Flexural modulus of elasticity and Tensile impact strength)


in accordance with the standard mentioned below

DIN EN 12608-1: 2016-08, annex A

This is to confirm that the formulation tested in the aforementioned report is in conformity with the standard. If the formulation is changed, this certificate becomes invalid and a new test must be performed.

Würzburg, 2016-10-17



i. V. 

Certification Body

A touch of the sublime

Choice of aesthetically pleasing laminates for our profiles

Prominence also offers a wide range of laminate options ranging from contemporary colours to wooden Textures. We provide colours that are best suited for your homes. Our laminates are imported from Europe. They are equipped to deal with tropical weather and come with 20 years warranty.

Wooden textures have always been an evergreen choice when it comes to beautifying our properties. In a bid to preserve nature, wooden textured laminates are a perfect replacement.

Prominence houses a wide range of wood grain textured laminates in Mahogany, Light Oak, Walnut, Shadow Black and more.

Features

- Laminates are equipped with PVDF
- Extreme weather resistance
- Crack resistance
- Colour stability
- Gloss retention
- Easy maintenance
- Environment-friendly (Imported PUR base Adhesive)

Features of laminate adhesion

- Latest European hot melt lamination technology.
- High-performance PUR adhesives.
- Certification/Accreditations from European testing organisations.

Texture that transform...

Colours that captivate!



Oregon Pine Natur



Sipo



Walnuss Amaretto



Sheffield Oak Grey



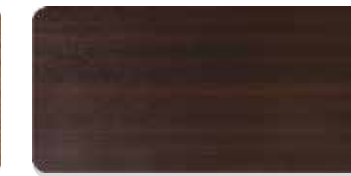
Staufereiche Kolonial



Teak Silver Grey



Teak Arte



Black Cherry



Walnuss Rehbraun



Mahagony



Sheffield Oak Light



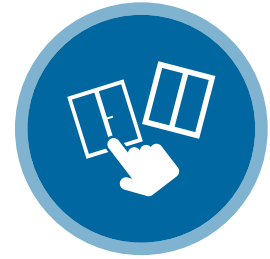
Golden Oak

Product features



DESIGN FREEDOM

A creative assortment of profiles mix-matched with combinations like bays, coupled windows, combination windows, etc. is our forte.



MULTIPLE SERIES - MORE CHOICES

We offer options to combine different varieties of profiles. These can be combined in a single property as they are aesthetically similar and structurally optimal.



AESTHETICS

Looks matter the most. With this understanding, Prominence windows are adaptable to develop attractive designs, ranges and wooden finish laminated profiles.



STRONGER COUPLERS

Our unique coupler designs for large windows offer stronger resistance to wind loads.



IAQ

Indoor Air Quality (IAQ) can be maintained by avoiding interior energy loss (generally 37% through windows). Prominence windows reduce energy loss by over 30% thereby reducing energy costs.



EXCELLENT COST BENEFIT RATIO

uPVC profiles save a lot of costs in terms of maintenance & saving energy when compared to Timber frames which are approximately 40% - 50% more expensive.



UV RESISTANCE

Prominence windows offer 100% UV resistance with the right amount of TiO₂, which helps in retaining whiteness against exposure to the sun.



BUG MESH OPTIONS

Mosquitoes and other bugs are a big menace. To protect against insects, we have bug mesh option available for our sliding systems.



DURABILITY

Prominence windows do not warp, twist or split. Impact modifiers in our profiles are treated with special additives, thereby making the material extremely long lasting.



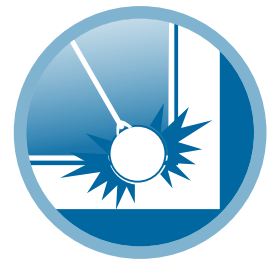
HIGH WEATHER RESISTANCE

Prominence windows are specially developed keeping in mind the tropical humidity prevalent in India. Long exposures to sun, rain, wind & moisture cannot affect the window quality or durability.



100% RECYCLABLE

Prominence avoids contributing to deforestation by using wood alternatives. Prominence windows and doors are 100% lead-free & recyclable.



IMPACT RESISTANCE

Prominence windows are uniquely designed and specially formulated to withstand high impacts during handling and installation.



MAINTENANCE FREE

Prominence windows are virtually dirt resistant and easy to maintain with normal soap water.



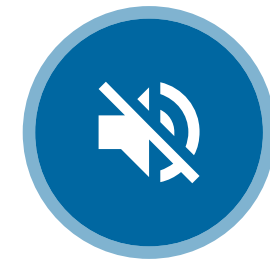
TERMITE & CORROSION RESISTANCE

Prominence windows are termite and corrosion resistant. Salts, acids, alkali and waste gases cannot corrode the window systems.



FIRE RETARDANT

Prominence windows are fire retardant. During fire, once source of fire is removed, a carbonaceous layer is formed preventing supplying of oxygen and stops the spread.



SOUND INSULATION

Not only do they provide thermal insulation but also special sound insulation. Double glass units can help in sound reduction up to 30 Db.

Outstanding features of our profile that stands out

Our products speak for themselves. Prominance stands apart amongst its competitors in the market by virtue of its unique features which are as follows:



Lead Free Profile

Lead being a cancerous agent, we develop lead-free profiles to avoid health hazards to people. It also provides longer window life with stronger weld strength and better UV resistance.



Large Reinforcement space

Strategic designing of reinforcement space allows large doors for sunlight & scenic view and usage in high rises.



Multiple System

Option to combine various profiles to create windows as per architectural requirement.



Double bevel chamfer

Ease of fabricating, latest designs & aesthetics and exclusive conceptions when compared to competitors.



Highly Engineered Product

Minute details are covered while designing these profiles. This improves overall aesthetics and saves time while fabricating the window. Hence Prominance profiles do not fail in any extreme scenario.



Co-Extruded Gaskets along the bead



Artisan Design

Developed exquisite designs blending traditional concepts with contemporary ideas.



Usage of weather seals

Avoids air gap between slider sashes, prevents insect invasion & whistling effect.



Designed for the Indian weather condition

Our profiles can withstand extreme weather condition like heat, wind and rain which is harsh in the Indian subcontinent.



Better Drainage

Inherent slope with designed water outlet solution, ensures water does not stay in the system. System can withstand heavy cyclone and can prevent water invasion.



Euro Groove Hardware

Accommodates a wide range of hardware offering flexibility to choose existing and upcoming hardware.



Wall Thickness

Bigger sash requires more wall thickness which offers better impact strength, weld quality & prevents deformation.



Wind load

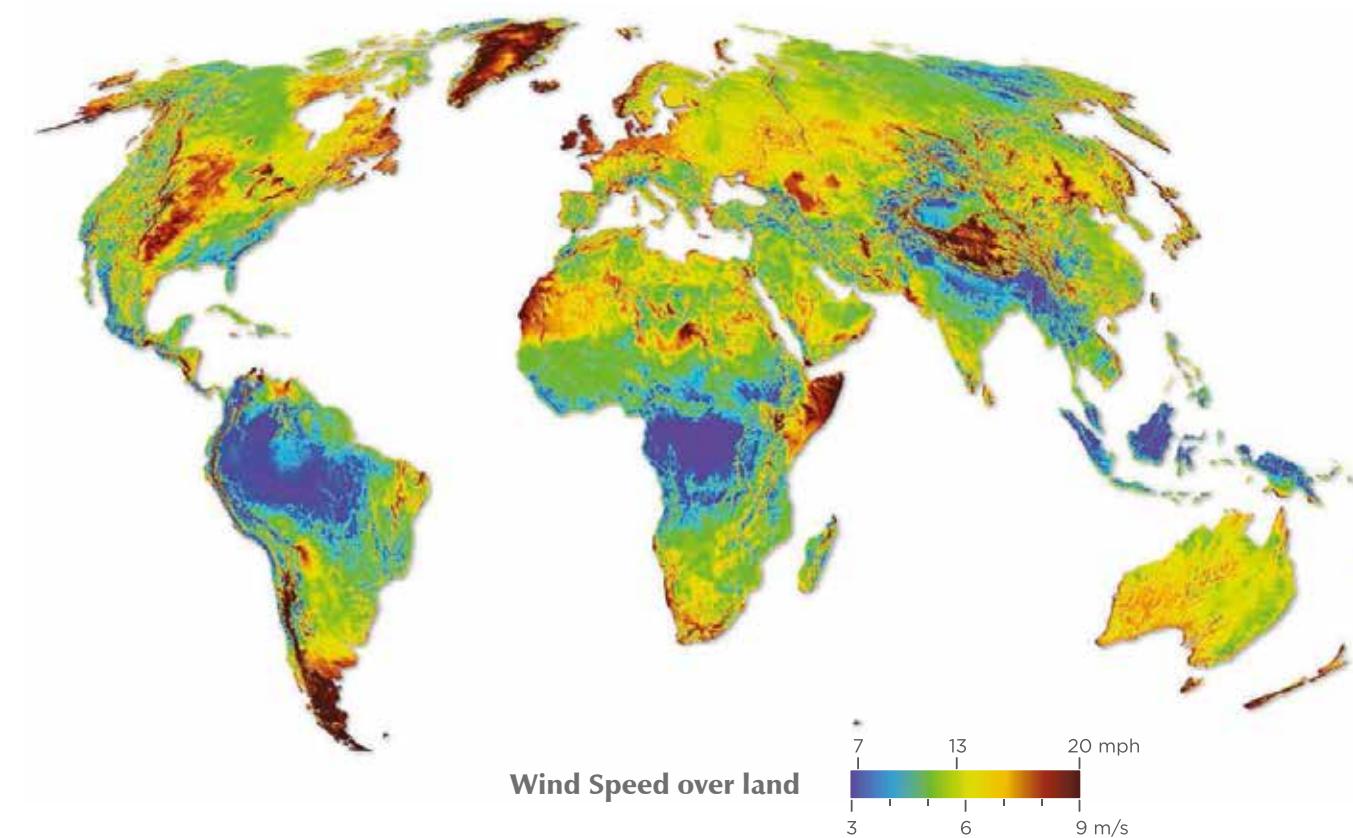
Strength against the storming winds

Strength against the storming winds India is divided into 6 zones based on the wind speed data maintained at various weather stations across the country. The wind speed data is available for the 3-second short durations and long duration as well which is collected over the last 50 years. Normally this short duration wind speed is called as basic wind speed and have a probability of once in 50 years.

Some of the factors that determine wind load are:

- Basic wind speed as per the geographic location.
- The height of the structures.
- The geometric shape of the building.
- The slope of the ground near the structure.
- Life of glazing/structure desired.

Keeping these factors in mind, we design and develop the profile to offer maximum stability and durability.



Below is a list of Main cities along with tentative different wind loads at different heights.

These are assumed at the middle of the city.

Country	Name of the City	Maximum Wind load (Pascal)
Germany	Berlin	1615
France	Paris	2905
United Kingdom	London	1408
Australia	Melbourne	907
UAE	Abu Dhabi	1046

Country	Name of the City	Maximum Wind load (Pascal)
India	New Delhi	448
Kenya	Nairobi	464
Maldives	Male	322
South Africa	Cape Town	2182
Qatar	Doha	1291

Country	Name of the City	Maximum Wind load (Pascal)
Vietnam	Hanoi	403
Bhutan	Thimphu	603
Thailand	Bangkok	632
Philippines	Manila	1291
Sri Lanka	Colombo	1121

European Norms Test

Artificial weather test

Extreme weather is horrifying and it's real. The modern day windows are equipped with plenty of features but they fail when they are battered constantly with extreme weather. For example, UV radiation.

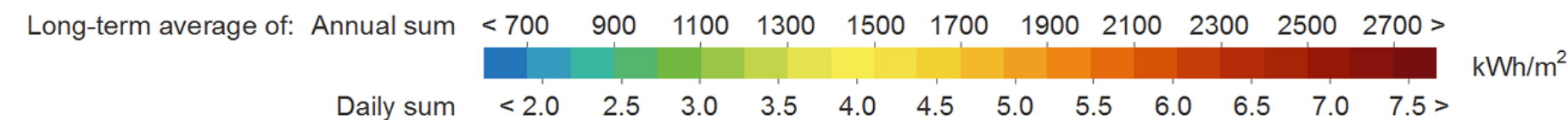
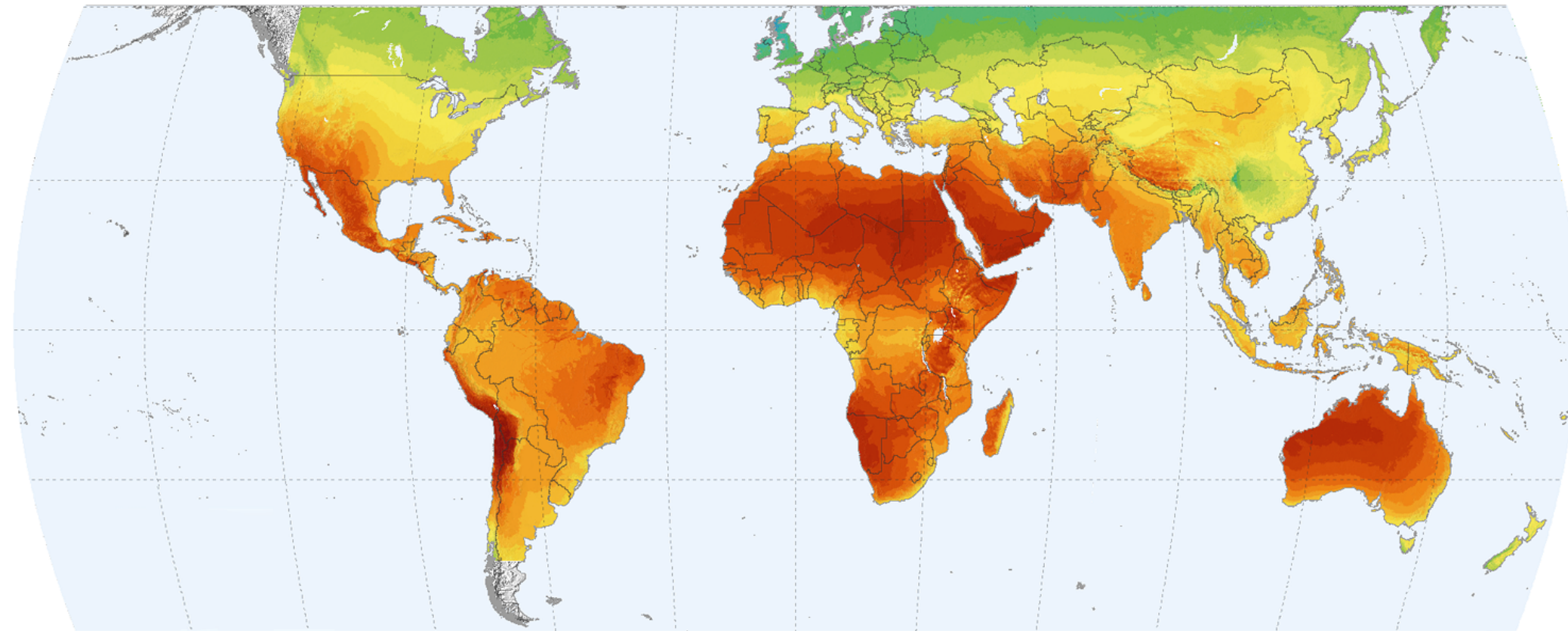
Ultraviolet (UV) is electromagnetic radiation with a wavelength from 10 nm to 400 nm, shorter than that of visible light but longer than X-rays. UV radiation is omnipresent, as long as the sun is out there. UV radiation fills about 10% of the total light output of the Sun. This is a serious problem that will cause skin disorders or at the worst case, skin cancer.

Not just UV radiation but a whole bunch of other things like heavy rain, scorching heat & high speed wind, when they are excessive and are exposed on the doors & windows will cause them to break down.

That's why we at Prominace have tested your windows at **44 GJ/m² for 22,000 hours under extreme UV radiation.**

The European standard states that the ΔE value should not exceed 5 at 8000 hours. Whereas even after 22,000 hours of testing, our ΔE value is only at 1.8 and still the test is being continued to achieve further milestones.

We are the only manufacturer globally to accelerate the weather tests up to this intensity.



Choosing the right partner

Why Prominace?



Lead free Profiles

Eco-Friendly - Calcium Zinc based formulation which offers high UV resistance & Weld Strength and ensures enhanced product quality.



Confirms to European Standards

Stringent quality assurance from procurement to manufacturing that complies with EN12608 Standard and accreditation from British standard institution (BSI-UK) & SKZ Germany.



World's Best Raw materials

Best & finest grades of raw materials sourced from Europe, processed under PLC/SCADA based Auto Weighing & Batching System with consistent quality to ensure the enhanced UV resistance, mechanical properties & Gloss level.



Wide Product Ranges Optima and Inventa

Ubiquitous & versatile designs in sync with engineering principles have led to the development of various profiles that are suitable for budget apartments to most premium villas.



State of the Art Manufacturing facility

Best manufacturing practices put in place with the utmost quality consciousness on each stage right from machine selection, tooling, Testing equipment and to team development.



Better Product Design

Master crafted designs with the right gradients, textures & edges accommodating complete benefits such as ventilation, view, robustness and aesthetics.



Strong R&D team

Our trained engineers aid customers with specific solutions with respect to segments of extrusion, fabrication, installation & service with a penchant for innovative systems to cater to market dynamics.



Training & Development

Intense training on fabrication and installation that makes partner sales team self-reliant & competent to handle customer needs.



Marketing support

Marketing support rendered in the form of technical methods, and business development tools for scientific approach towards end customers, channel partners, influencers to add momentum to sales efforts.



Flexible stock ordering & Lowest lead time

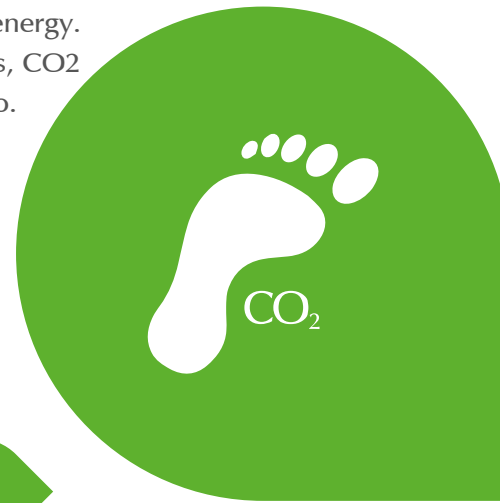
We offer flexibility when it comes to stock ordering and customised dispatch services. We also assure the lowest lead time. This ensures easy cash flow, logistics and inventory planning for the fabricators.

A friend to the planet

And an angel to your dream home

Reduce your Carbon Footprint

Prominace windows are designed to save energy. Hence we help you save your electricity bills, CO2 emissions and eventually save our planet too.



100% Lead -Free

Our windows are 100% lead-free, which gives us an edge over others. We are one of the handful lead-free manufacturers of profiles.

Pollution free production

Not only our products are eco-friendly, but our manufacturing process and plant is eco-friendly too. We ensure optimal use of resources like water and electricity. uPVC avoids smoke emission, hazardous chemical waste and non-biodegradable garbage.



Promise to Recycling

uPVC windows are 100% recyclable thereby contributing to the eco-friendly concept of Prominace.



*“May your walls know joy;
May every room hold laughter and
every window open to great possibility”*

- Mary Anne Radmacher - Hershey



Prominance Window Systems (P) Limited

SF.No. 207/1B & 1C, Selakaraichal Road Appanaickenpatti,
Sulur, Coimbatore - 641 402. Tamilnadu, India.
INDIA | SOUTH AFRICA | NEPAL | SRI LANKA | AUSTRALIA

Tel : +91 4255-265507 | Mobile : +91 9500895005 | Toll-Free : 1800 833 4500
www.prominance.com